

ClearVue Roofing System

Installation instructions for Purlins

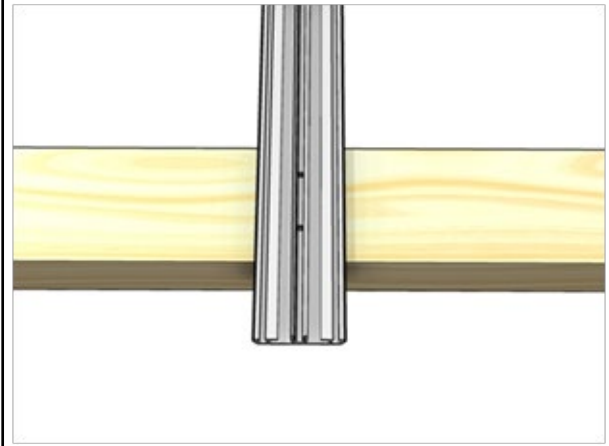
Step 1:

Insert rubber gaskets into the top glazing bars
Pre drill 5mm holes in the top glazing bar every 150mm.
(Start the first hole at least 30mm from the end of bar)



Step 2:

IF YOU INTEND TO INSTALL A GUTTER ALLOW THE GLAZING BAR TO OVERHANG THE END OF YOUR ROOF BY AT LEAST 50MM.



Step 3:

Insert rubber gaskets into the bottom glazing bars.



Step 4:

Using the narrow line in the centre of the glazing bar as a guide, fix the bottom glazing bar to the purlin with 2 x 8g 50mm screws.

IMPORTANT : Start fixing at the centre of your roof!



ClearVue Roofing System

Installation instructions for Purlins

Step 5:

Fit the end cap to the end of the glazing bars at the gutter end, using the screw provided.

CHECK: that the bottom of end cap lines up with the bottom edge of the glazing bar.



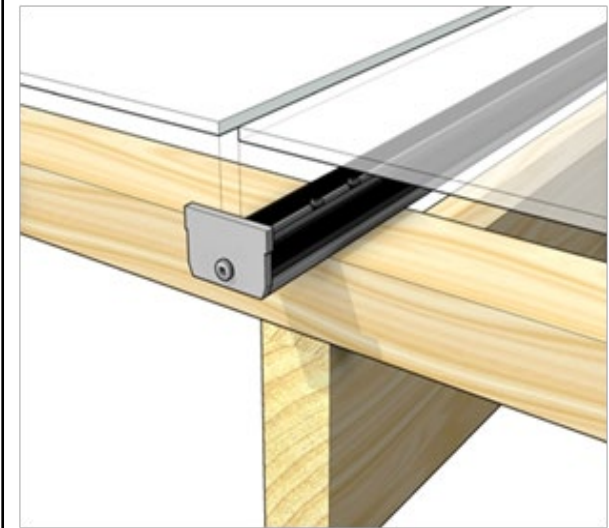
Step 6:

Peel 50mm of the protective masking away from the long sides of each panel (on both sides).

TIP: Leave the rest of the masking until the job is complete to avoid damage.

Place 2 ClearVue panels on the bottom glazing bar. Use the 2mm spacers provided to ensure that the panel is in the correct position.

CHECK: That the bottom of the panel is hard against the edge of the end cap.



Step 7:

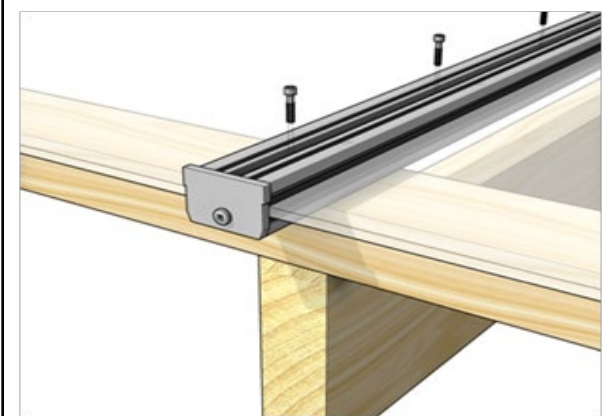
Position the top glazing bar in place and secure using the cap screws.



Step 8:

Fix at 150mm centers into the pre-drilled holes.

IMPORTANT: Do not over tighten screws as this may cause sheets to bow.

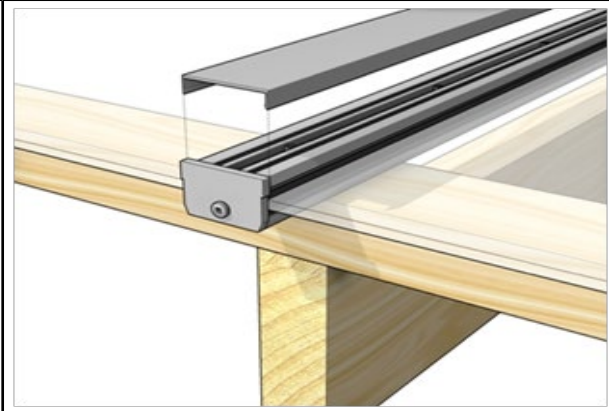


ClearVue Roofing System

Installation instructions for Purlins

Step 9:

Clip on the top cover as you go (tap with rubber mallet until they click into place).

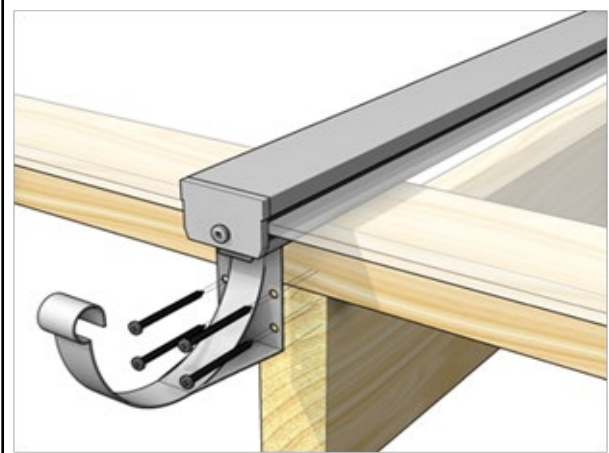


Step 10:

OPTION: To install a gutter.

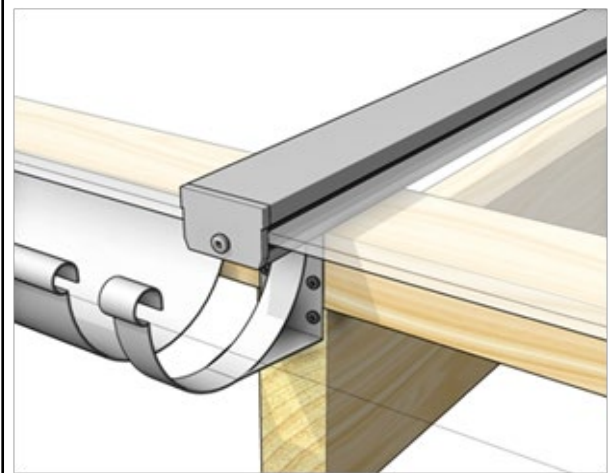
Install the CleaVue roof with a minimum of 50mm overhang from the end of the roof.

Attach the gutter brackets as per the instructions supplied.



Step 11:

Clip in gutter.



Step 12:

Connect to downpipes as required.



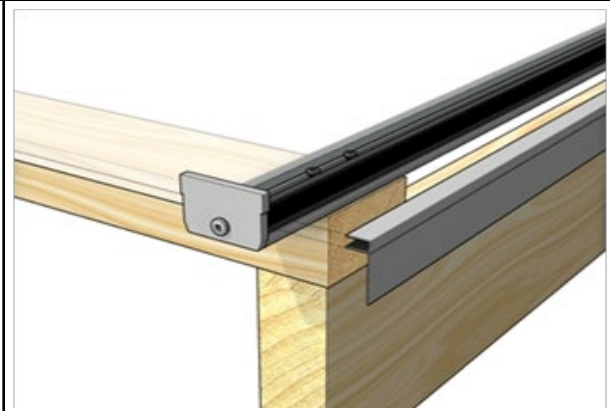
ClearVue Roofing System

Installation instructions for Purlins

Step 13:

OPTION: To finish the end of the roof without a panel or against the building.

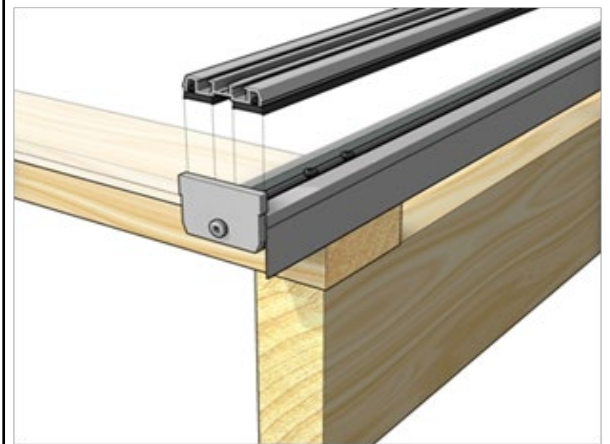
Remove the bottom rubber gasket only from the side where you will install an F Section.



Step 14:

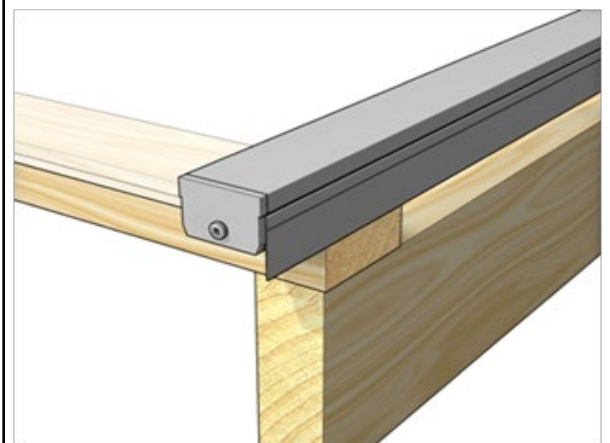
Place one panel and an F section into the bottom glazing bar, where the roof will finish.

Position Glazing Bar in place and secure using the cap screws as previously.



Step 15:

Clip on the top cover (tap with rubber mallet until it clicks into place).



Step 16:

Completely remove all remaining protective masking from the top and bottom of the ClearVue panels.