

ClearVue Roofing System Installation Instructions for Rafters

Step 1:

Insert rubber gaskets into the top glazing bars

Measure 100mm from one end of the bottom glazing bar and drill a 5mm hole using the narrow line in the centre of the bar as a guide. REPEAT AT OTHER END.



Step 2:

IF YOU INTEND TO INSTALL A GUTTER ALLOW THE GLAZING BAR TO OVERHANG THE END OF YOUR ROOF BY AT LEAST 50MM.

Insert rubber gaskets into the bottom glazing bars.



Step 3:

JOIN THE TOP AND BOTTOM GLAZING BARS TOGETHER WITH TAPE. MAKE SURE THE ENDS ARE ALIGNED PERFECTLY.

Step 1. Using a 2mm pilot, drill completely through the taped bars every 300mm along the full length.

DRILL THE FIRST HOLE 70MM FROM THE END OF THE BAR.

Step 2. Using these holes as a guide, drill a 5mm hole firstly through the top glazing bar, then turn over and repeat on the bottom glazing bar.

TIP: THIS IS EASIER THAN TRYING TO DRILL THE 5MM HOLES ALL THE WAY THROUGH THE ALUMINIUM IN ONE STEP.



ClearVue Roofing System Installation Instructions for Rafters

Step 4:

Untape the glazing bars to start installation on the roof.

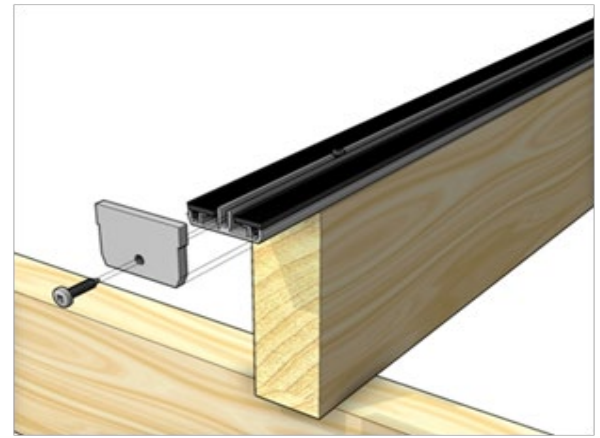
Using 50mm screws fix the bottom glazing bars to the rafters in the pre-drilled holes 100mm from each end.



Step 5:

Fit the end cap to the end of the glazing bars at the gutter end, using the screw provided.

CHECK: That the bottom of end cap lines up with the bottom edge of the glazing bar.

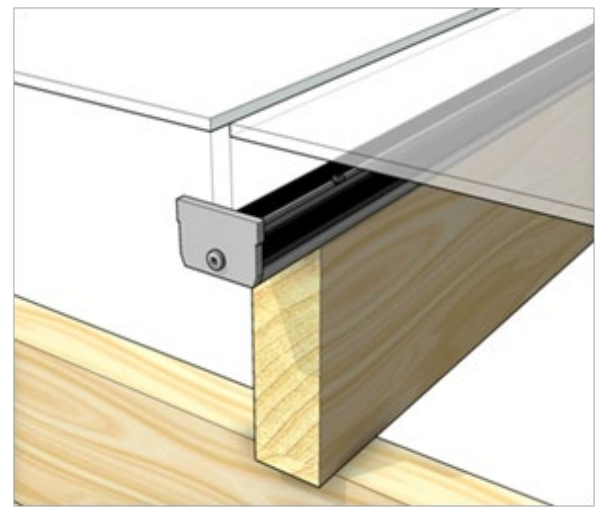


Step 6:

Peel 50mm of the protective masking away from the long sides of each panel (on both sides).

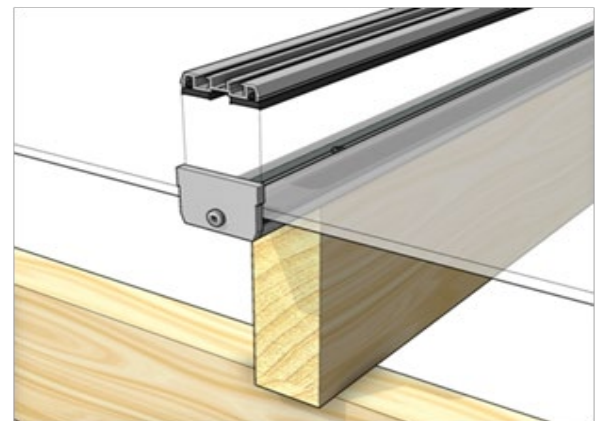
TIP: Leave the rest of the masking until the job is complete to avoid damage.

Place 2 ClearVue panels on the bottom glazing bar. Use the 2mm spacers provided to ensure that the panel is in the correct position.



Step 7:

Position the top glazing bar in place ensuring that the panels are hard against the edge of the end cap.

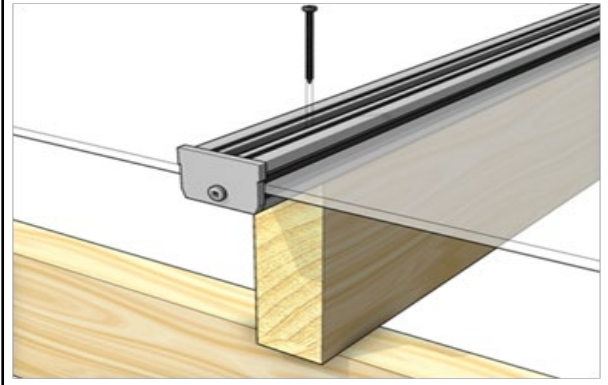


ClearVue Roofing System Installation Instructions for Rafters

Step 8:

Fix with 50mm screws into pre-drilled holes at 300mm centers.

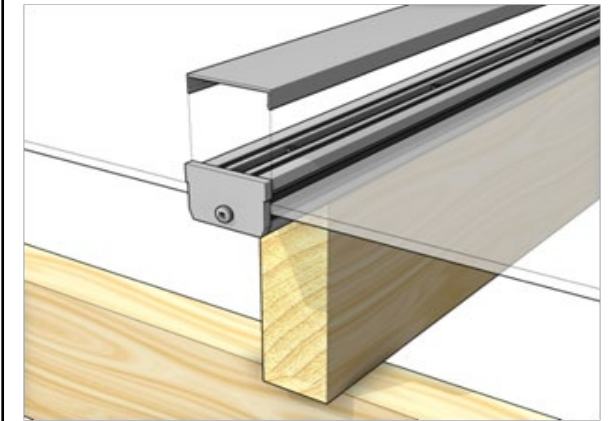
IMPORTANT: Do not over tighten the screws as this may cause the panels to bow.



Step 9:

Clip on the top cover as you go (tap with rubber mallet until it clicks into place).

ONCE THE FIRST TWO PANELS ARE INSTALLED, SECURE AND COMPLETE ONE PANEL AT A TIME. ALWAYS START INSTALLATION AT THE CENTRE OF YOUR ROOF!

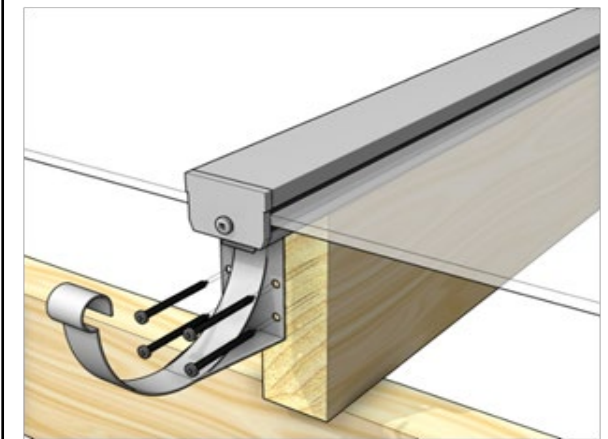


Step 10:

OPTION: To install a gutter.

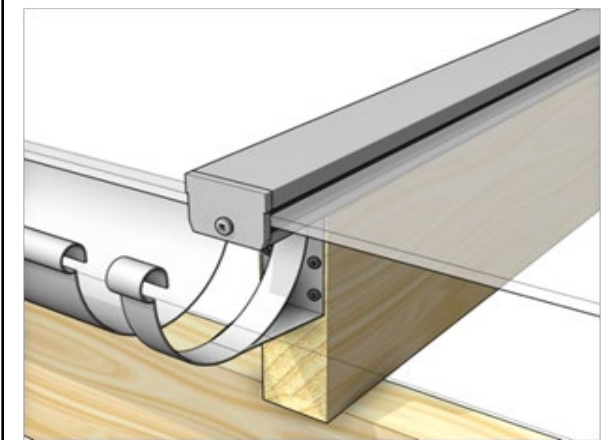
Install the ClearVue roof with a minimum of 50mm overhang from the end of the roof.

Attach the gutter brackets as per the instructions supplied.



Step 11:

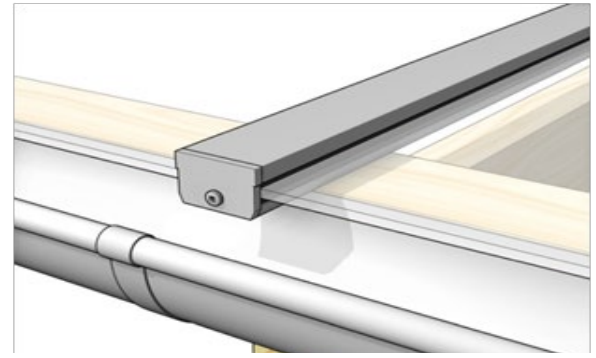
Clip in gutter.



ClearVue Roofing System Installation Instructions for Rafters

Step 12:

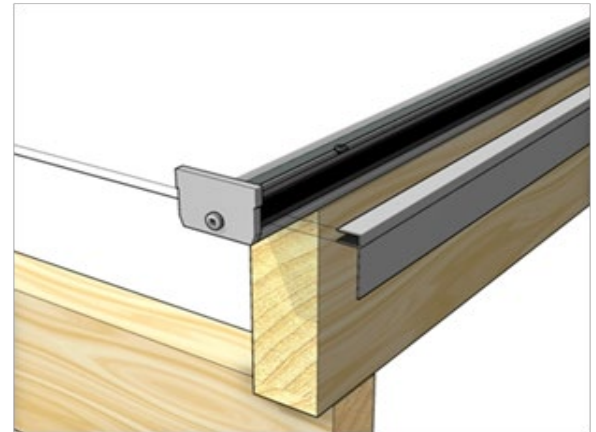
Connect to downpipes as required.



Step 13:

OPTION: To finish the end of the roof without a panel or against the building.

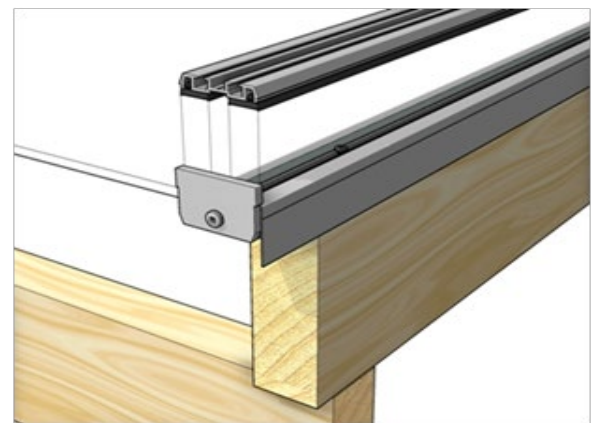
Remove the bottom rubber gasket only from the side where you will install an F Section.



Step 14:

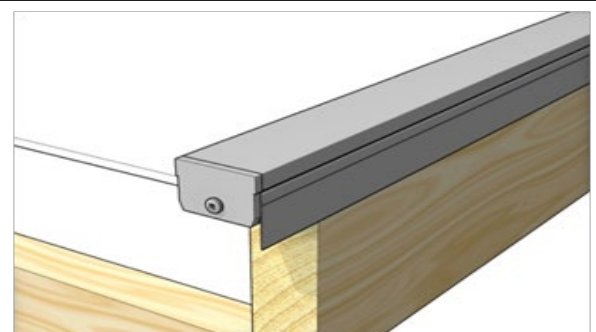
Place one panel and an F section into the bottom glazing bar, where the roof will finish.

Position Glazing Bar in place and secure using the 50mm screws as previously.



Step 15:

Clip on the top cover (tap with rubber mallet until it clicks into place).



Step 16:

Completely remove all remaining protective masking from the top and bottom of the ClearVue panels.