

ClearVue Roofing System Installation Instructions for Span Bars

Step 1:

Insert rubber gaskets into the top glazing bars.

Pre drill 5mm holes in the top glazing bar every 150mm.

(Drill the first hole a minimum of 70mm from the end to allow for gutter installation).



Step 2:

IF YOU INTEND TO INSTALL A GUTTER ALLOW THE TOP GLAZING BAR TO OVERHANG THE END OF YOUR SPANBAR BY AT LEAST 50MM.

PRE-DRILL EXTRA HOLES IN THE BOTTOM END CAP FOR FIXING THE GUTTER BRACKETS AS REQUIRED.



Step 3:

Insert rubber gaskets into Span Bar.

Mark hole positions for the selected rafter brackets on the sides of the Span Bar and pre drill 6mm holes to suit.

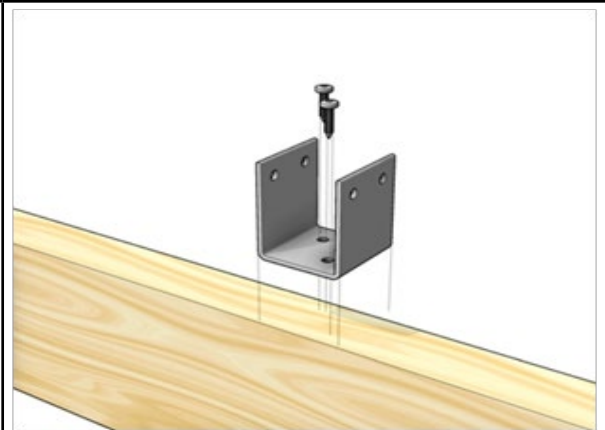


Step 4:

FIX THE SELECTED RAFTER BRACKETS TO THE ROOF STRUCTURE USING THE SCREWS PROVIDED.

Option 1 . D Bracket (as pictured)

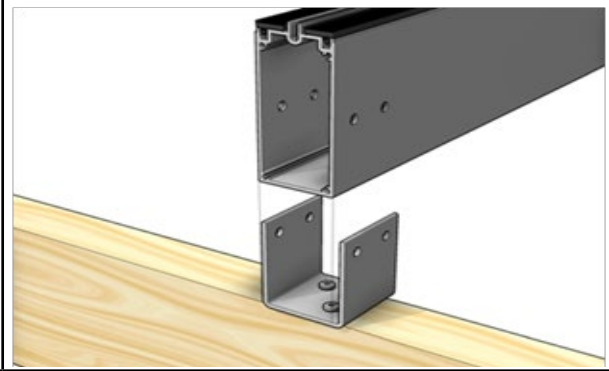
Option 2. Two Piece Rafter Bracket (see Technical Details)



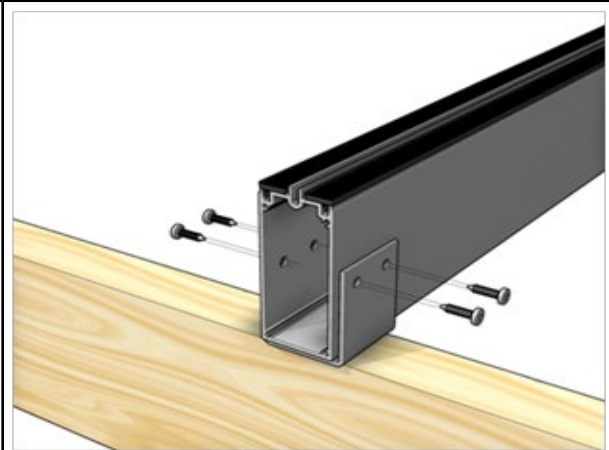
ClearVue Roofing System

Installation Instructions for Span Bars

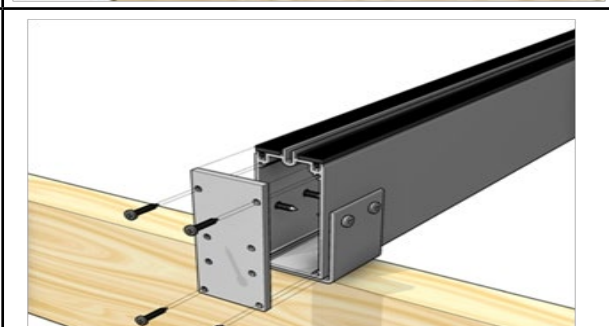
Step 5:
Fit the Span Bars into the Brackets at both ends.



Step 6:
Screw through the sides of the brackets into the pre-drilled holes using the screws provided.



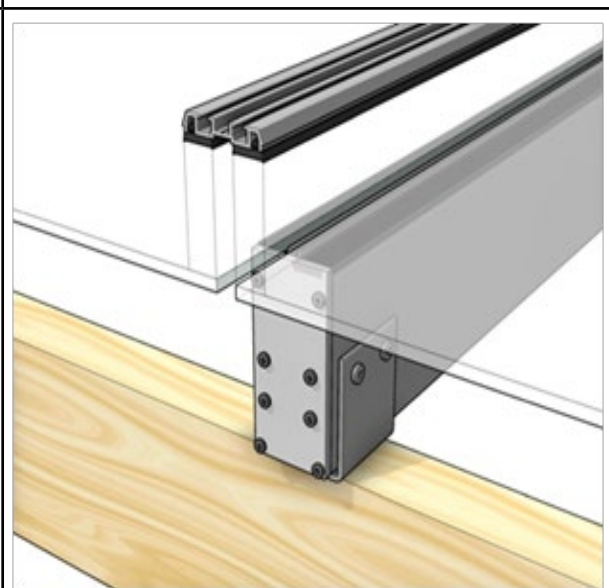
Step 7:
Fix the Bottom Split End Cap in place using the screws provided.



Step 8:
Peel 50mm of the protective masking away from the long sides of each ClearVue panel (on both sides).

TIP: Leave the rest of the masking until the job is complete to avoid damage.

Place 2 panels onto the Span Bar. Use the 2mm spacers provided to ensure that the panel is in the correct position. Position the panels so they line up with the edge of the Top Glazing Bar.



ClearVue Roofing System

Installation Instructions for Span Bars

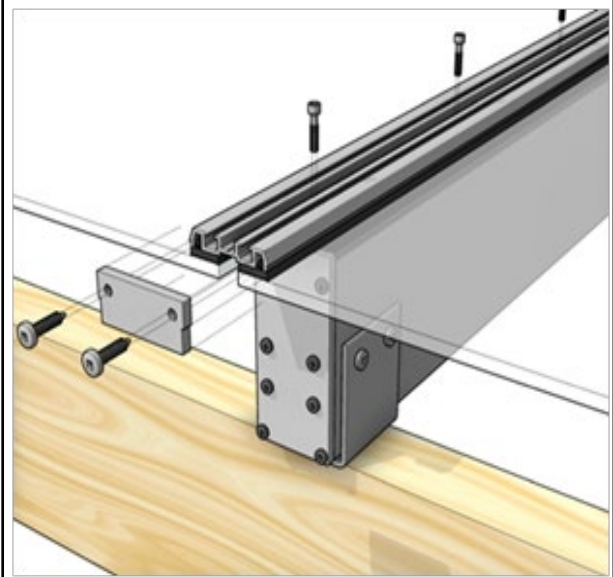
Step 9:

Position the top glazing bar in place and secure using the cap screw.

Fix at 150mm centers into the pre-drilled holes.

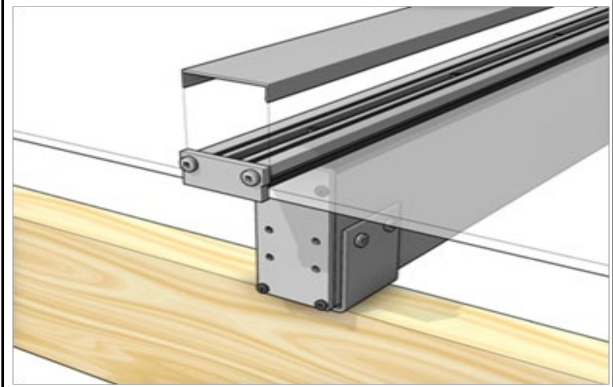
ONCE THE FIRST TWO PANELS ARE INSTALLED, SECURE AND COMPLETE ONE PANEL AT A TIME. ALWAYS START INSTALLATION AT THE CENTRE OF YOUR ROOF!

Install Span Bar Top Split End Cap using screws provided.



Step 10:

Clip on the top cover as you go. (tap with rubber mallet until it clicks into place)

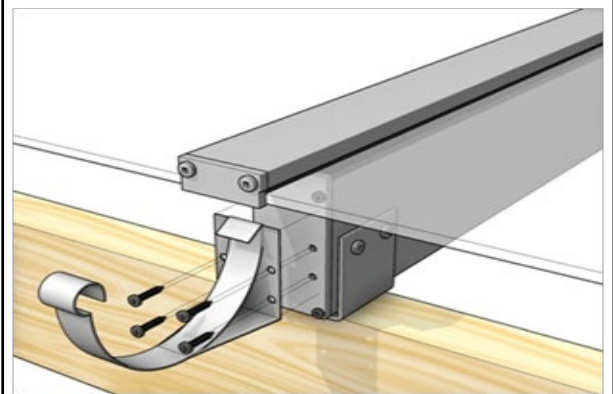


Step 11:

OPTION: To install a gutter.

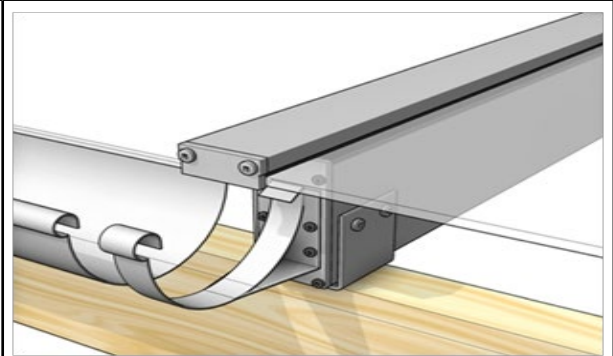
Install the ClearVue roof with a minimum of 50mm overhang from the end of the roof.

Attach the gutter brackets as per the instructions supplied.



Step 12:

Clip in gutter.



ClearVue Roofing System Installation Instructions for Span Bars

Step 13:

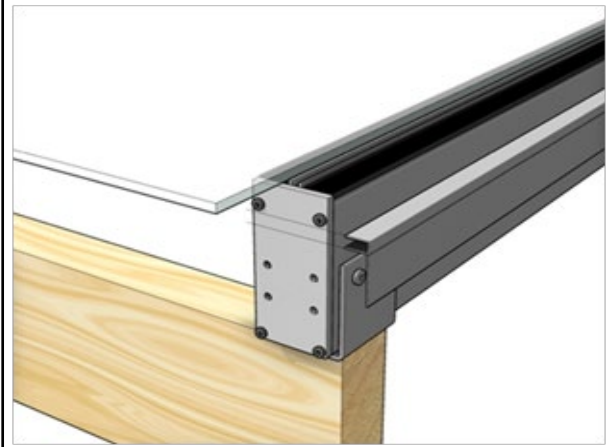
Connect to downpipes as required.



Step 14:

OPTION: to finish the end of the roof without a panel or against the building.

Remove the bottom rubber gasket only from the side where you will install an F Section.



Step 15:

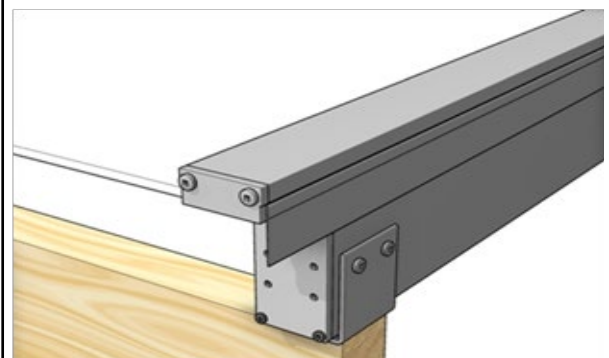
Place one panel and an F section into the bottom glazing bar, where the roof will finish.

Position Glazing Bar in place and secure using the cap screws as previously.



Step 16:

Clip on the top cover. (tap with rubber mallet until it clicks into place)



Step 17:

Completely remove all remaining protective masking from the top and bottom of the ClearVue panels.

